

# Salikisa 7.11.2021 Nääshalli P11-31,0

Competitors A

Competitors: 7

#	Name	Grade	Club	1	2	3	4	Wins	Pts	Pos
1	Elmeri KULMALA	5.kyu	Tampereen judo		10		10	2	20	2
2	Hugo LANKINEN	5.kyu	Tampereen judo				10	1	10	3
3	Linus LUOTO	4.kyu	Tampereen judo	10	1		10	3	21	1
4	Jake MIKKONEN	6.kyu	Syokonkan					0	0	4

## Matches A

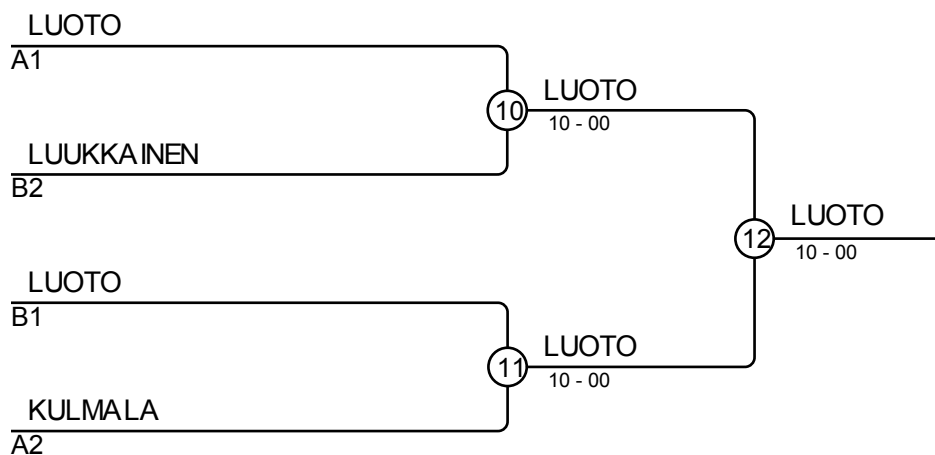
Match	White	Blue	Result	Time
1	Elmeri KULMALA 1 2	Hugo LANKINEN	10-00	1:31
2	Linus LUOTO 3 4	Jake MIKKONEN	10-00	0:07
4	Elmeri KULMALA 1 3	Linus LUOTO	00-10	0:02
5	Hugo LANKINEN 2 4	Jake MIKKONEN	10-00	1:20
7	Elmeri KULMALA 1 4	Jake MIKKONEN	10-00	2:00
8	Hugo LANKINEN 2 3	Linus LUOTO	00s1-01	3:48

## Competitors B

#	Name	Grade	Club	5	6	7	Wins	Pts	Pos
5	Oliver LUUKKAINEN	5.kyu	Tampereen judo			10	1	10	2
6	Viljami LUOTO	4.kyu	Tampereen judo	10		10	2	20	1
7	Ossi PETMAN	5.kyu	Tampereen judo				0	0	3

## Matches B

Match	White	Blue	Result	Time
3	Oliver LUUKKAINEN 5 6	Viljami LUOTO	00-10	2:00
6	Oliver LUUKKAINEN 5 7	Ossi PETMAN	10-00	0:35
9	Viljami LUOTO 6 7	Ossi PETMAN	10-00	0:20



## Results

Pos	Name
1	Linus LUOTO, Tampereen judo
2	Viljami LUOTO, Tampereen judo
3	Oliver LUUKKAINEN, Tampereen judo
3	Elmeri KULMALA, Tampereen judo